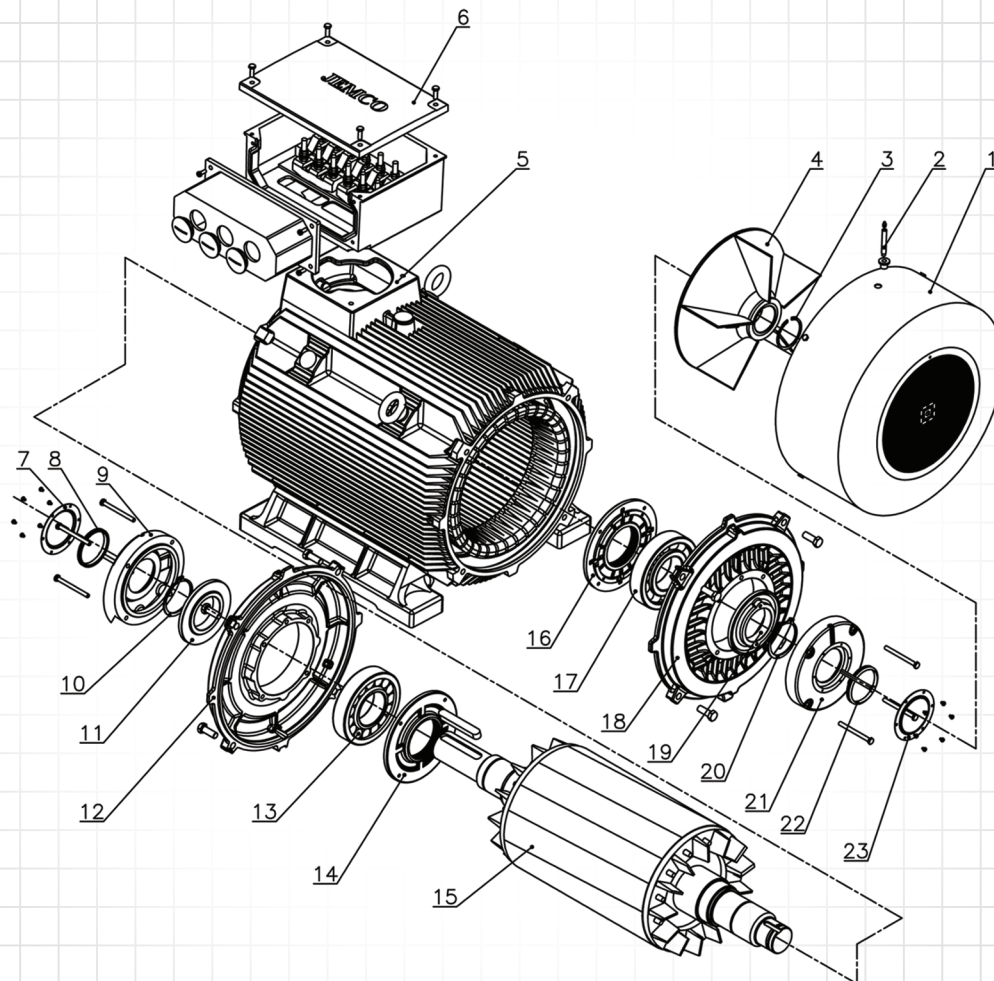


TYPICAL EXPLODED VIEW OF CAST IRON MOTORS.



JEMCO
PRODUCER & PROVIDER
OF ELECTRICAL MOTORS
0.12 KW UP TO 10 MW

Jovain Electrical Machines Industries Co.(JEMCO)

- | | |
|--|-----------------------------------|
| 1 - Outside Fan Housing | 13 - Ball Bearing |
| 2 - Inlet Lubricating Channel | 14 - Bearing Cover inside (front) |
| 3 - Retaining Ring | 15 - Rotor |
| 4 - Fan | 16 - Bearing Cover Inside (back) |
| 5 - Stator Frame with Core and Winding | 17 - Ball Bearing |
| 6 - Terminal Box | 18 - End Shield (back) |
| 7 - Cover Plate (front) | 19 - Bearing Grease Cover (back) |
| 8 - V-ring | 20 - Retaining Ring |
| 9 - Bearing Cover Outside (front) | 21 - Bearing Cover outside (back) |
| 10 - Retaining Ring | 22 - V- ring |
| 11 - Bearing Grease Cover (back) | 23 - Cover Plate (back) |
| 12 - End Shield (front) | |

TYPE YD - LOW VOLTAGE (380V) SQUIRREL CAGE MOTORS

TECHNICAL DATA

Degree of Protection: IP 55, 50 Hz, IM B3, Insulation Class: F/B, Temp.rise: B, S.F.: 1/1

Output Kw	Motor Type	Frame Size mm	Speed r/min	Efficiency Full Load 100%	Power factor Full Load 100%	Current		Torque			Rotor Inertia kgm ²	Motor Weight kg
						I _N A	$\frac{I_s}{I_N}$	T _N Nm	$\frac{T_s}{T_N}$	$\frac{T_{MAX}}{T_N}$		
3000 rev/min - 2pole												
5.5	YD1131-2A0	132S	2930	86.5	0.89	10.8	7	18	2.2	2.7	0.017	65
7.5	YD1132-2A0	132S	2930	87	0.9	14.6	7	24	2.4	2.7	0.020	71
11	YD1163-2A0	160M	2947	89	0.87	21.3	6.5	35.8	2.1	2.9	0.038	117
15	YD1162-2A0	160M	2932	89.7	0.91	29	7	49	2.2	2.8	0.040	115
18.5	YD1161-2A0	160L	2936	89.5	0.89	36	7	60	2.2	2.8	0.050	142
22	YD1181-2A0	180M	2940	89	0.89	43	7	71	2.2	2.8	0.070	171
30	YD1201-2A0	200L1	2958	91	0.88	56	7	97	2.2	2.8	0.135	229
37	YD1202-2A0	200L2	2956	91.5	0.87	70	7	120	2.2	2.8	0.152	223
45	YD1221-2A0	225M	2968	91.5	0.89	84	7	145	2.2	2.8	0.229	304
55	YD1251-2A0	250M	2970	92.2	0.88	103	7	177	2.2	2.8	0.442	379
75	YD1281-2A0	280S	2980	92	0.9	141	7	241	2.2	2.8	0.769	480
90	YD1282-2A0	280M	2981	92.5	0.91	166	7	288	2.2	2.8	0.956	600
1500 rev/min - 4pole												
5.5	YD1131-4A0	132S	1455	87	0.82	11.5	6.3	35.5	2.2	2.7	0.020	68
7.5	YD1132-4A0	132M	1451	87.8	0.83	15.6	6.9	49	2.6	2.6	0.025	76
11	YD1162-4A0	160M	1460	88.1	0.86	22.6	6.4	72	2	2.7	0.050	103
15	YD1161-4A0	160L	1454	89.5	0.85	30	7	99	2.2	2.8	0.052	144
18.5	YD1181-4A0	180M	1470	91	0.86	35	7	120	2.2	2.8	0.124	172
22	YD1182-4A0	180L	1470	91.5	0.86	42	7	143	2.2	2.8	0.138	182
30	YD1201-4A0	200L	1475	92.5	0.87	57	7	195	2.2	2.8	0.227	248
37	YD1221-4A0	225S	1473	92	0.87	69	7	238	2.2	2.8	0.457	315
45	YD1222-4A0	225M	1475	92.5	0.9	84	7	290	2.2	2.8	0.540	340
55	YD1251-4A0	250M	1481	93	0.88	102	7	355	2.2	2.8	0.821	396
75	YD1281-4A0	280S	1487	93.5	0.88	137	7	482	2.2	2.8	1.352	529
90	YD1282-4A0	280M	1489	94	0.89	163	7	577	2.2	2.8	1.522	650
1000 rev/min - 6pole												
3	YD1131-6A0	132S	950	80	0.77	7.4	5.8	30	2.2	2.3	0.017	62
4	YD1132-6A0	132M	950	82	0.77	9.6	5.8	40	2.2	2.5	0.021	70
5.5	YD1133-6A0	132M	950	83	0.79	12.8	6	55	2.1	2.4	0.028	81
7.5	YD1161-6A0	160M	960	85.8	0.74	18	4.8	74.6	2	2.5	0.050	127
11	YD1162-6A0	160L	960	87.1	0.74	26	5	109	2.1	2.6	0.070	150
15	YD1181-6A0	180L	970	90	0.81	32	7	148	2.2	2.8	0.188	180
18.5	YD1201-6A0	200L1	978	90.7	0.86	37	7	181	2.2	2.8	0.270	238
22	YD1202-6A0	200L2	982	91	0.81	44	7	215	2.2	2.8	0.296	235
30	YD1221-6A0	225M	983	91.3	0.84	59	7	291	2.2	2.8	0.543	313
37	YD1251-6A0	250M	991	91.5	0.85	70	7	362	2.2	2.8	0.925	412
45	YD1281-6A0	280S	998	92.3	0.88	87	7	435	2.2	2.8	1.220	535
55	YD1282-6A0	280M	987	93	0.88	103	7	532	2.2	2.8	1.427	590

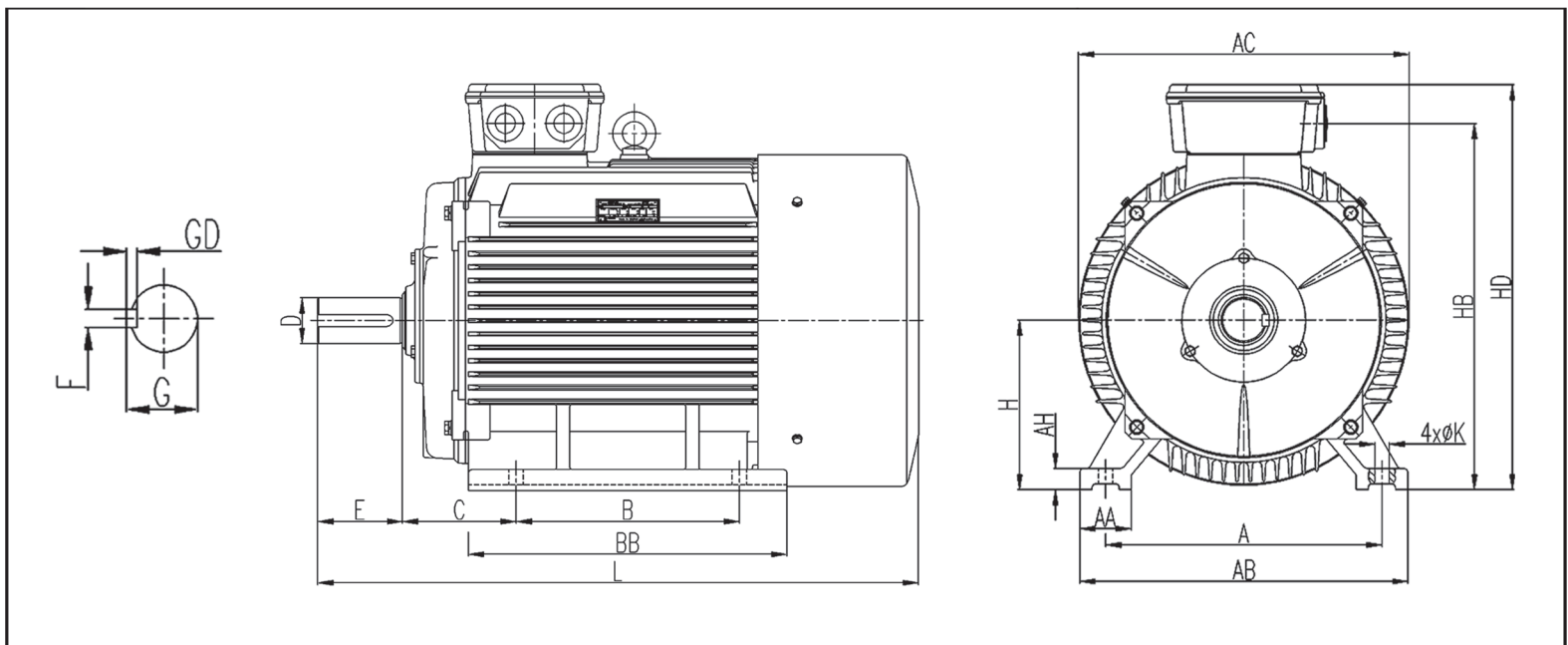
* Depends on request, IP56 is available * FC Motor on request

* Other types of mounting on request

Engineered Motors, YD(Cast Iron)

Dimension Drawings

Low Voltage(380V), Squirrel Cage Motors, IM B3, IC411, IP55, 50Hz



Frame Size	Poles	H	A	B	C	D	E	F	G	K	AA	AB	BB	AC	AG	AH	HD	HB	L
132M	2,4,6	132	216	178	89	38	80	10	41	12	50	262	217	258	65	18	347	300	483
132S	2,4,6	132	216	140	89	38	80	10	41	12	50	262	217	258	65	18	347	300	483
160M	2	160	254	210	108	42	110	12	45	15	68	317	262	317	95	21	419	369	608
160L	2,4	160	254	254	108	42	110	12	45	15	68	317	306	317	95	21	419	369	652
180M	2,4	180	279	241	121	48	110	14	51.5	14.5	70	349	311	355	95	22	454	404	662
180L	4,6	180	279	279	121	48	110	14	51.5	14.5	70	349	349	355	95	22	454	404	700
200L	2,4,6	200	318	305	133	55	110	16	59	18.5	70	388	368	397	116	25	504	449	762
225S	4	225	356	286	149	60	140	18	64	18.5	75	431	368	446	116	28	552	497	812
225M	2	225	356	311	149	55	110	16	59	18.5	75	431	393	446	116	28	552	497	807
225M	4,6	225	356	311	149	60	140	18	64	18.5	75	431	393	446	116	28	552	497	837
250M	2	250	406	349	168	60	140	18	64	24	80	484	455	485	133	30	610	546	916
250M	4,6	250	406	349	168	65	140	18	69	24	80	484	455	485	133	30	610	546	916
280S	2	280	457	368	190	65	140	18	69	24	85	542	525	547	133	35	669	605	991
280S	4,6	280	457	368	190	75	140	20	79.5	24	85	542	525	547	133	35	669	605	991
280M	2	280	457	419	190	65	140	18	69	24	85	542	581	547	133	35	669	605	1047
280M	4,6	280	457	419	190	75	140	20	79.5	24	85	542	581	547	133	35	669	605	1047

TYPE YD - LOW VOLTAGE (380V) - Cast Iron Frame



*This table is confirm on the main dimension in mm *Special accessory parts can be assembled by customer order
 *In special application these dimension can be changed by customer order

TYPE YD - LOW VOLTAGE (380V) SQUIRREL CAGE MOTORS

TECHNICAL DATA

Degree of Protection: IP 55, 50 Hz, IM B35, Insulation Class : F/B, Temp.rise: B, S, F.: 1/1

Output Kw	Motor Type	Frame Size mm	Speed r/min	Efficiency Full Load 100%	Power factor Full Load 100%	Current		Torque			Rotor Inertia kgm ²	Motor Weight kg
						I _N A	$\frac{I_s}{I_N}$	T _N Nm	$\frac{T_s}{T_N}$	$\frac{T_{MAX}}{T_N}$		
3000 rev/min - 2pole												
5.5	YD1131-2A1	132S	2930	86.5	0.89	10.8	7	18	2.2	2.7	0.017	65
7.5	YD1132-2A1	132S	2930	87	0.9	14.6	7	24	2.4	2.7	0.020	71
11	YD1163-2A1	160M	2947	89	0.87	21.3	6.5	35.8	2.1	2.9	0.038	117
15	YD1162-2A1	160M	2932	89.7	0.91	29	7	49	2.2	2.8	0.040	120
18.5	YD1161-2A1	160L	2936	89.5	0.89	36	7	60	2.2	2.8	0.050	138
22	YD1181-2A1	180M	2940	89	0.89	43	7	71	2.2	2.8	0.070	187
30	YD1201-2A1	200L1	2958	91	0.88	56	7	97	2.2	2.8	0.135	235
37	YD1202-2A1	200L2	2956	91.5	0.87	70	7	120	2.2	2.8	0.152	240
45	YD1221-2A1	225M	2968	91.5	0.89	84	7	145	2.2	2.8	0.229	305
55	YD1251-2A1	250M	2970	92.2	0.88	103	7	177	2.2	2.8	0.442	407
75	YD1281-2A1	280S	2980	92	0.9	141	7	241	2.2	2.8	0.769	505
90	YD1282-2A1	280M	2981	92.5	0.91	166	7	288	2.2	2.8	0.956	625
1500 rev/min - 4pole												
5.5	YD1131-4A1	132S	1455	87	0.82	11.5	6.3	35.5	2.2	2.7	0.020	68
7.5	YD1132-4A1	132M	1451	87.8	0.83	15.6	6.9	49	2.6	2.6	0.025	76
11	YD1162-4A1	160M	1460	88.1	0.86	22.6	6.4	72	2	2.7	0.050	122
15	YD1161-4A1	160L	1454	89.5	0.85	30	7	99	2.2	2.8	0.052	142
18.5	YD1181-4A1	180M	1470	91	0.86	35	7	120	2.2	2.8	0.124	189
22	YD1182-4A1	180L	1470	91.5	0.86	42	7	143	2.2	2.8	0.138	190
30	YD1201-4A1	200L	1475	92.5	0.87	57	7	195	2.2	2.8	0.227	282
37	YD1221-4A1	225S	1473	92	0.87	69	7	238	2.2	2.8	0.457	327
45	YD1222-4A1	225M	1475	92.5	0.9	84	7	290	2.2	2.8	0.540	360
55	YD1251-4A1	250M	1481	93	0.88	102	7	355	2.2	2.8	0.821	425
75	YD1281-4A1	280S	1487	93.5	0.88	137	7	482	2.2	2.8	1.352	600
90	YD1282-4A1	280M	1489	94	0.89	163	7	577	2.2	2.8	1.522	630
1000 rev/min - 6pole												
3	YD1131-6A1	132S	950	80	0.77	7.4	5.8	30	2.2	2.3	0.017	62
4	YD1132-6A1	132M	950	82	0.77	9.6	5.8	40	2.2	2.5	0.021	70
5.5	YD1133-6A1	132M	950	83	0.79	12.8	6	55	2.1	2.4	0.028	81
7.5	YD1161-6A1	160M	960	85.8	0.74	18	4.8	74.6	2	2.5	0.050	127
11	YD1162-6A1	160L	960	87.1	0.74	26	5	109	2.1	2.6	0.070	150
15	YD1181-6A1	180L	970	90	0.81	32	7	148	2.2	2.8	0.188	200
18.5	YD1201-6A1	200L	978	90.7	0.86	37	7	181	2.2	2.8	0.270	258
22	YD1202-6A1	200L	982	91	0.81	44	7	215	2.2	2.8	0.296	270
30	YD1221-6A1	225M	983	91.3	0.84	59	7	291	2.2	2.8	0.543	337
37	YD1251-6A1	250M	991	91.5	0.85	70	7	362	2.2	2.8	0.925	425
45	YD1281-6A1	280S	988	92.3	0.88	87	7	435	2.2	2.8	1.220	550
55	YD1282-6A1	280M	987	93	0.88	103	7	532	2.2	2.8	1.427	620

* Depends on request, IP56 is available

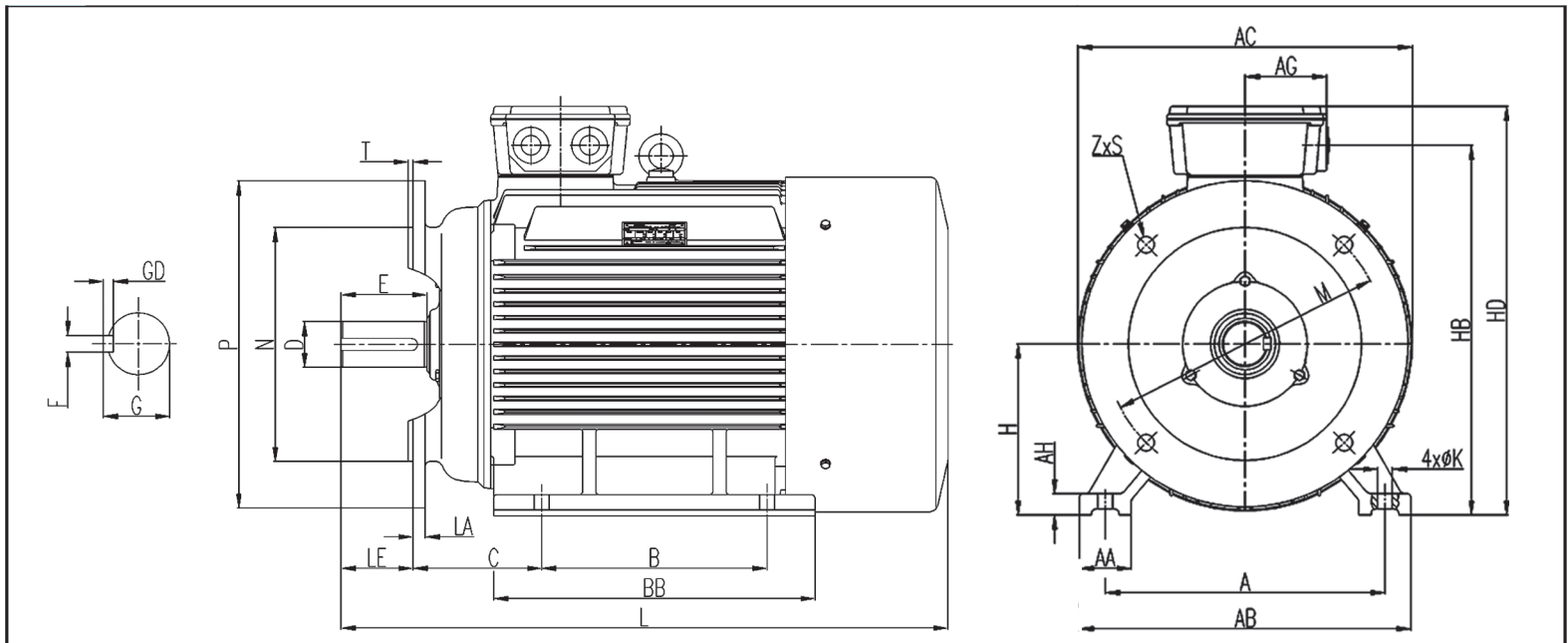
* FC Motor on request

* Other types of mounting on request

Engineered Motors, YD(Cast Iron)

Dimension Drawings

Low Voltage(380V), Squirrel Cage Motors, IM B35, IC411, IP55, 50Hz



Frame Size	Poles	H	A	B	C	D	E	F	G	K	AA	AB	BB	AC	AG	AH	HD	HB	L	P	N	LA	T	LE	M	Z	S
132M	2,4,6	132	216	178	89	38	80	10	41	12	50	262	217	258	65	18	347	300	483	300	230	12	4	80	265	4	14.5
132S	2,4,6	132	216	140	89	38	80	10	41	12	50	262	217	258	65	18	347	300	483	300	230	12	4	80	265	4	14.5
160M	2	160	254	210	108	42	110	12	45	15	68	317	262	317	95	21	419	369	608	350	250	13	5	110	300	4	18
160L	2,4	160	254	254	108	42	110	12	45	15	68	317	306	317	95	21	419	369	652	350	250	13	5	110	300	4	18
180M	2,4	180	279	241	121	48	110	14	51.5	14.5	70	349	311	355	95	22	454	404	662	350	250	13	5	110	300	4	18
180L	4,6	180	279	279	121	48	110	14	51.5	14.5	70	349	349	355	95	22	454	404	700	350	250	13	5	110	300	4	18
200L	2,4,6	200	318	305	133	55	110	16	59	18.5	70	388	368	397	116	25	504	449	762	400	300	15	5	110	350	4	17.5
225S	4	225	356	286	149	60	140	18	64	18.5	75	431	368	446	116	28	552	497	812	450	350	16	5	140	400	8	17.5
225M	2	225	356	311	149	55	110	16	59	18.5	75	431	393	446	116	28	552	497	807	450	350	16	5	110	400	8	17.5
225M	4,6	225	356	311	149	60	140	18	64	18.5	75	431	393	446	116	28	552	497	837	450	350	16	5	140	400	8	17.5
250M	2	250	406	349	168	60	140	18	64	24	80	484	455	485	133	30	610	546	916	550	450	18	5	140	500	8	17.5
250M	4,6	250	406	349	168	65	140	18	69	24	80	484	455	485	133	30	610	546	916	550	450	18	5	140	500	8	17.5
280S	2	280	457	368	190	65	140	18	69	24	85	542	525	547	133	35	669	605	991	550	450	18	5	140	500	8	17.5
280S	4,6	280	457	368	190	75	140	20	79.5	24	85	542	525	547	133	35	669	605	991	550	450	18	5	140	500	8	17.5
280M	2	280	457	419	190	65	140	18	69	24	85	542	581	547	133	35	669	605	1047	550	450	18	5	140	500	8	17.5
280M	4,6	280	457	419	190	75	140	20	79.5	24	85	542	581	547	133	35	669	605	1047	550	450	18	5	140	500	8	17.5

TYPE YD - LOW VOLTAGE (380V) - Cast Iron Frame



*This table is confirm on the main dimension in mm *Special accessory parts can be assembled by customer order
 *In special application these dimension can be changed by customer order

TYPE YU - LOW VOLTAGE (380V) SQUIRREL CAGE MOTORS

TECHNICAL DATA

Degree of Protection: IP 55, 50 Hz, IM B3, Insulation Class : F/B, Temp.rise: B

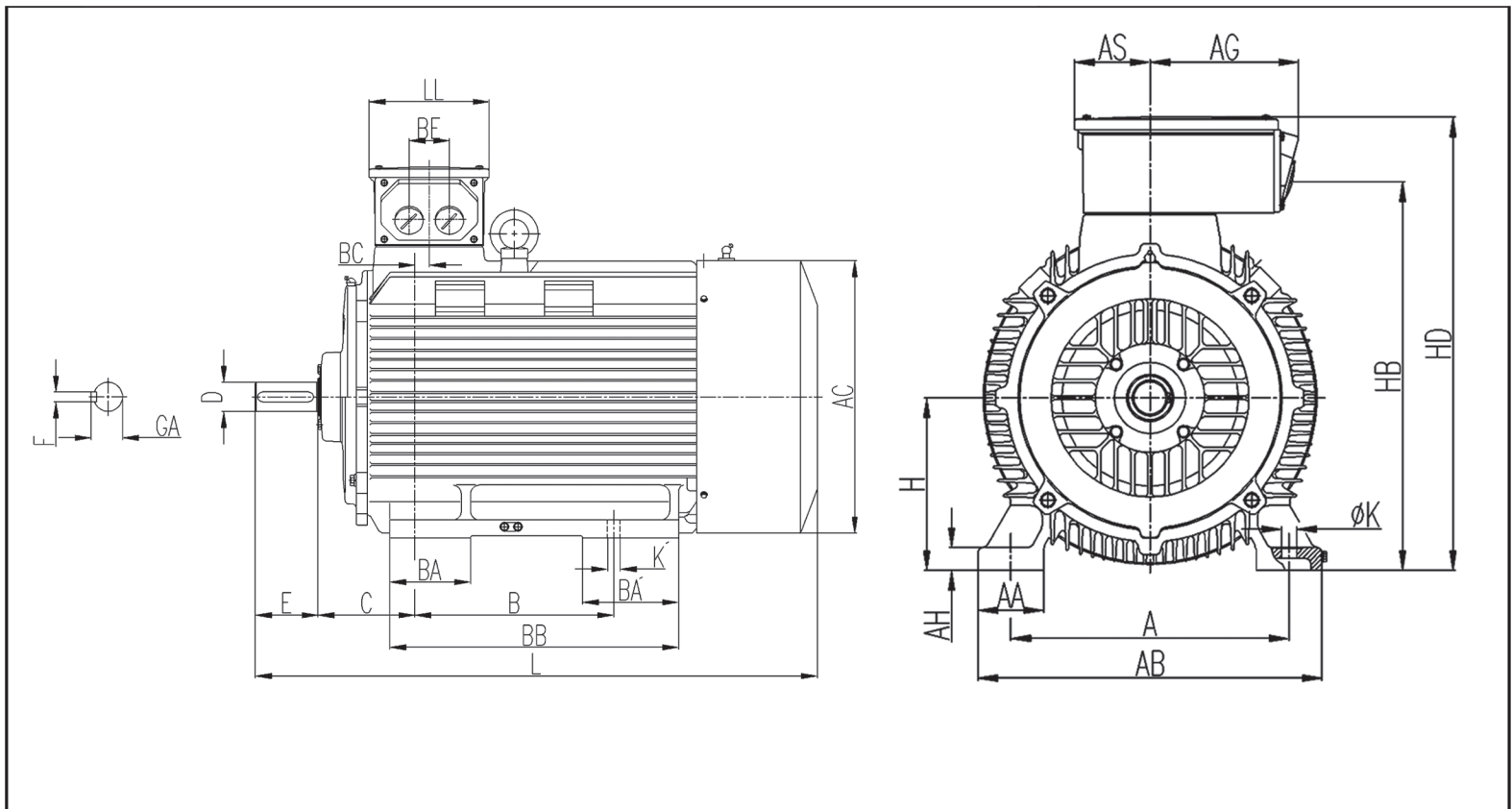
Output Kw	Motor Type	Frame Size mm	Speed r/min	Efficiency Full Load 100%	Power factor Full Load 100%	Current		Torque			Rotor Inertia kgm ²	Motor Weight kg
						I _N A	$\frac{I_s}{I_N}$	T _N Nm	$\frac{T_s}{T_N}$	$\frac{T_{MAX}}{T_N}$		
3000 rev/min - 2pole												
110	YU1311-2A0	315S	2966	92.6	0.89	195	6.8	354	1.8	2.2	1.75	1210
132	YU1312-2A0	315M	2966	93.1	0.89	231	6.8	425	1.8	2.2	2.25	1230
160	YU1313-2A0	315L	2964	93.5	0.89	277	6.8	515	1.8	2.2	2.25	1260
185	YU1314-2A0	315L	2967	93.7	0.89	372	6.8	644	1.8	2.2	2.5	1310
200	YU1315-2A0	315L	2967	93.7	0.89	346	6.8	644	1.8	2.2	2.5	1310
220	YU1351-2A0	355M	2980	94.2	0.89	382	6.8	705	1.2	2.2	6	1500
250	YU1352-2A0	355M	2981	94.6	0.89	426	6.8	801	1.2	2.2	6.75	1580
280	YU1353-2A0	355L	2979	94.9	0.89	478	6.8	898	1.2	2.2	6.75	1610
315	YU1354-2A0	355L	2978	95.2	0.89	540	6.8	1010	1.2	2.2	8.25	1650
355	YU1401-2A0	400L	2979	95.3	0.89	610	7	1138	1.2	1.8	7.25	2110
400	YU1402-2A0	400L	2975	95.4	0.89	685	7	1284	1.2	1.8	8	2190
450	YU1403-2A0	400L	2980	95.5	0.89	767	7	1442	1.2	1.8	8.25	2245
1500 rev/min - 4pole												
110	YU1311-4A0	315S	1487	93.7	0.89	197	6.8	706	1.8	2	3	1080
132	YU1312-4A0	315M	1487	94.2	0.89	235	6.8	848	1.8	2	3.5	1150
160	YU1313-4A0	315L	1487	94.6	0.89	284	6.8	1027	1.8	2	4	1200
185	YU1314-4A0	315L	1487	94.6	0.89	329	6.8	1284	1.8	2	4.5	1335
200	YU1315-4A0	315L	1487	94.6	0.89	355	6.8	1284	1.8	2	4.5	1350
220	YU1351-4A0	355M	1480	94.5	0.87	400	6.8	1419	1.4	2	6	1680
250	YU1352-4A0	355M	1480	94.9	0.87	453	6.8	1613	1.4	2	6.75	1720
280	YU1353-4A0	355L	1480	95.2	0.87	504	6.8	1807	1.4	2	6.75	1760
315	YU1354-4A0	355L	1484	95.4	0.9	557	6.8	2027	1.4	2	8.25	1800
355	YU1401-4A0	400L	1487	95.5	0.89	614	6.5	2280	1.2	1.8	14.25	2270
400	YU1402-4A0	400L	1487	95.6	0.89	690	6.5	2569	1.2	1.8	16.25	2430
450	YU1403-4A0	400L	1488	95.7	0.78	776	6.5	2888	1.2	1.8	16.75	2470
1000 rev/min - 6pole												
75	YU1311-6A0	315S	987	93	0.87	139	6.5	726	1.6	2	4	1060
90	YU1312-6A0	315M	987	93.3	0.87	166	6.5	871	1.6	2	4.75	1110
110	YU1313-6A0	315L	988	93.6	0.87	203	6.5	1063	1.6	2	5	1140
132	YU1314-6A0	315L	988	93.6	0.87	242	6.5	1276	1.6	2	6	1380
160	YU1351-6A0	355M	985	94.2	0.87	295	6.5	1551	1.3	2	7.75	1830
185	YU1352-6A0	355M	985	94.4	0.87	341	6.5	1939	1.3	2	8.25	1870
200	YU1353-6A0	355L	985	94.4	0.87	367	6.5	1939	1.3	2	9.25	1880
220	YU1354-6A0	355L	986	94.6	0.87	403	6.5	2131	1.3	2	10.25	1900
250	YU1401-6A0	400L	987	94.9	0.86	457	6.5	2419	1.3	1.8	16.75	2135
280	YU1402-6A0	400L	987	95.1	0.86	507	6.5	2709	1.3	1.8	19.75	2300
315	YU1403-6A0	400L	987	95.2	0.86	572	6.5	3048	1.3	1.8	19.75	2320

* FC Motor on request

Engineered Motors, YU(Cast Iron)

Dimension Drawings

Low Voltage(380V), Squirrel Cage Motors, IM B3, IC411, IP55, 50Hz



Frame Size	Poles	A	B	C	D	E	F	GA	H	K	K'	L	LL	BE	BC	AB	AA	AC	BB	BA	BA'	AG	AS	HA	HB	HD
315S	2	508	406	216	65	140	18	69	315	28	28	1255	268	90	32	628	120	609	645	180	215	250	138	42	710	830
315S	4,6	508	406	216	80	170	22	85	315	28	28	1285	268	90	32	628	120	609	645	180	215	250	138	42	710	830
315M	2	508	457	216	65	140	18	69	315	28	28	1255	268	90	32	628	120	609	645	180	215	250	138	42	710	830
315M	4,6	508	457	216	80	170	22	85	315	28	28	1285	268	90	32	628	120	609	645	180	215	250	138	42	710	830
315L	2	508	508	216	65	140	18	69	315	28	28	1255	268	90	32	628	120	609	645	180	215	250	138	42	710	830
315L	4,6	508	508	216	80	170	22	85	315	28	28	1285	268	90	32	628	120	609	645	180	215	250	138	42	710	830
355M	2	610	560	254	75	140	20	79.5	355	35	28	1468	554	125	53	730	120	683	630	120	120	411	176	52	941	1072
355M	4,6	610	560	254	95	170	25	100	355	35	28	1498	554	125	53	730	120	683	630	120	120	411	176	52	941	1072
355L	2	610	630	254	75	140	20	79.5	355	35	28	1468	554	125	53	730	120	683	700	120	120	411	176	52	941	1072
355L	4,6	610	630	254	95	170	25	100	355	35	28	1498	554	125	53	730	120	683	700	120	120	411	176	52	941	1072
400L	2	686	710	280	80	170	22	85	400	36	28	1546	554	125	27	836	150	736	800	156	156	411	176	62	1026	1160
400L	4,6	686	710	280	100	210	28	106	400	36	28	1676	554	125	27	836	150	736	800	156	156	411	176	62	1026	1160

TYPE YU - LOW VOLTAGE (380V) - Cast Iron Frame



*This table is confirm on the main dimension in mm *Special accessory parts can be assembled by customer order
 *In special application these dimension can be changed by customer order

TYPE YU - LOW VOLTAGE (380V) SQUIRREL CAGE MOTORS

TECHNICAL DATA

Degree of Protection: IP 55, 50 Hz, IM B35, Insulation Class : F/B, Temp.rise: B

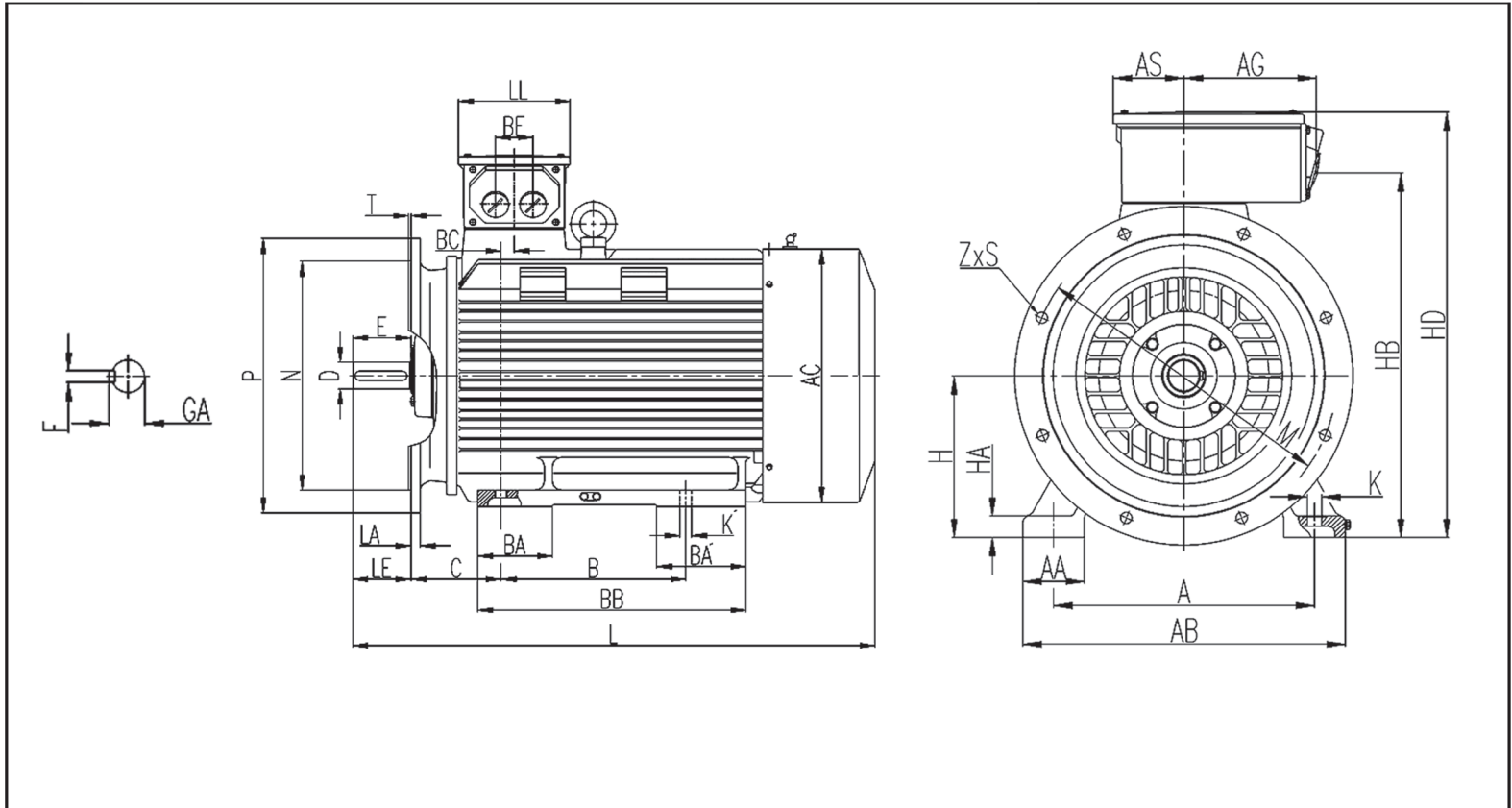
Output Kw	Motor Type	Frame Size mm	Speed r/min	Efficiency Full Load 100%	Power factor Full Load 100%	Current		Torque			Rotor Inertia kgm ²	Motor Weight kg
						I _N A	$\frac{I_s}{I_N}$	T _N Nm	$\frac{T_s}{T_N}$	$\frac{T_{MAX}}{T_N}$		
3000 rev/min - 2pole												
110	YU1311-2A1	315S	2966	92.6	0.89	195	6.8	354	1.8	2.2	1.75	1247
132	YU1312-2A1	315M	2966	93.1	0.89	231	6.8	425	1.8	2.2	2.25	1267
160	YU1313-2A1	315L	2964	93.5	0.89	277	6.8	515	1.8	2.2	2.25	1297
185	YU1314-2A1	315L	2967	93.7	0.89	372	6.8	644	1.8	2.2	2.5	1347
200	YU1315-2A1	315L	2967	93.7	0.89	346	6.8	644	1.8	2.2	2.5	1347
220	YU1351-2A1	355M	2980	94.2	0.89	382	6.8	705	1.2	2.2	6	1565
250	YU1352-2A1	355M	2981	94.6	0.89	426	6.8	801	1.2	2.2	6.75	1645
280	YU1353-2A1	355L	2979	94.9	0.89	478	6.8	898	1.2	2.2	6.75	1675
315	YU1354-2A1	355L	2978	95.2	0.89	540	6.8	1010	1.2	2.2	8.25	1715
355	YU1401-2A1	400L	2979	95.3	0.89	610	7	1138	1.2	1.8	7.25	2169
400	YU1402-2A1	400L	2975	95.4	0.89	685	7	1284	1.2	1.8	8	2249
450	YU1403-2A1	400L	2980	95.5	0.89	767	7	1442	1.2	1.8	8.25	2304
1500 rev/min - 4pole												
110	YU1311-4A1	315S	1487	93.7	0.89	197	6.8	706	1.8	2	3	1118
132	YU1312-4A1	315M	1487	94.2	0.89	235	6.8	848	1.8	2	3.5	1188
160	YU1313-4A1	315L	1487	94.6	0.89	284	6.8	1027	1.8	2	4	1238
185	YU1314-4A1	315L	1487	94.6	0.89	329	6.8	1284	1.8	2	4.5	1373
200	YU1315-4A1	315L	1487	94.6	0.89	355	6.8	1284	1.8	2	4.5	1388
220	YU1351-4A1	355M	1480	94.5	0.87	400	6.8	1419	1.4	2	6	1748
250	YU1352-4A1	355M	1480	94.9	0.87	453	6.8	1613	1.4	2	6.75	1788
280	YU1353-4A1	355L	1480	95.2	0.87	504	6.8	1807	1.4	2	6.75	1828
315	YU1354-4A1	355L	1484	95.4	0.9	557	6.8	2027	1.4	2	8.25	1868
355	YU1401-4A1	400L	1487	95.5	0.89	614	6.5	2280	1.2	1.8	14.25	2338
400	YU1402-4A1	400L	1487	95.6	0.89	690	6.5	2569	1.2	1.8	16.25	2488
450	YU1403-4A1	400L	1488	95.7	0.78	776	6.5	2888	1.2	1.8	16.75	2528
1000 rev/min - 6pole												
75	YU1311-6A1	315S	987	93	0.87	139	6.5	726	1.6	2	4	1098
90	YU1312-6A1	315M	987	93.3	0.87	166	6.5	871	1.6	2	4.75	1148
110	YU1313-6A1	315L	988	93.6	0.87	203	6.5	1063	1.6	2	5	1178
132	YU1314-6A1	315L	988	93.6	0.87	242	6.5	1276	1.6	2	6	1418
160	YU1351-6A1	355M	985	94.2	0.87	295	6.5	1551	1.3	2	7.75	1898
185	YU1352-6A1	355M	985	94.4	0.87	341	6.5	1939	1.3	2	8.25	1938
200	YU1353-6A1	355L	985	94.4	0.87	367	6.5	1939	1.3	2	9.25	1948
220	YU1354-6A1	355L	986	94.6	0.87	403	6.5	2131	1.3	2	10.25	1968
250	YU1401-6A1	400L	987	94.9	0.86	457	6.5	2419	1.3	1.8	16.75	2193
280	YU1402-6A1	400L	987	95.1	0.86	507	6.5	2709	1.3	1.8	19.75	2358
315	YU1403-6A1	400L	987	95.2	0.86	572	6.5	3048	1.3	1.8	19.75	2378

* FC Motor on request

Engineered Motors, YU(Cast Iron)

Dimension Drawings

Low Voltage(380V), Squirrel Cage Motors, IM B35, IC411, IP55, 50Hz



Frame Size	Poles	A	B	C	D	E(LE)	F	GA	H	K	K'	L	LL	BE	BC	AB	AA	AC	BB	BA	BA'	AG	AS	HA	HB	HD	P	N	LA	T	M	Z	S
------------	-------	---	---	---	---	-------	---	----	---	---	----	---	----	----	----	----	----	----	----	----	-----	----	----	----	----	----	---	---	----	---	---	---	---

315S	2	508	406	216	65	140	18	69	315	28	28	1255	268	90	32	628	120	609	645	180	215	250	138	42	710	830	660	550	22	6	600	8	22
315S	4,6	508	406	216	80	170	22	85	315	28	28	1285	268	90	32	628	120	609	645	180	215	250	138	42	710	830	660	550	22	6	600	8	22
315M	2	508	457	216	65	140	18	69	315	28	28	1255	268	90	32	628	120	609	645	180	215	250	138	42	710	830	660	550	22	6	600	8	22
315M	4,6	508	457	216	80	170	22	85	315	28	28	1285	268	90	32	628	120	609	645	180	215	250	138	42	710	830	660	550	22	6	600	8	22
315L	2	508	508	216	65	140	18	69	315	28	28	1255	268	90	32	628	120	609	645	180	215	250	138	42	710	830	660	550	22	6	600	8	22
315L	4,6	508	508	216	80	170	22	85	315	28	28	1285	268	90	32	628	120	609	645	180	215	250	138	42	710	830	660	550	22	6	600	8	22
355M	2	610	560	254	75	140	20	79.5	355	35	28	1468	554	125	53	730	120	683	630	120	120	411	176	52	941	1072	800	680	25	6	740	8	22
355M	4,6	610	560	254	95	170	25	100	355	35	28	1498	554	125	53	730	120	683	630	120	120	411	176	52	941	1072	800	680	25	6	740	8	22
355L	2	610	630	254	75	140	20	79.5	355	35	28	1468	554	125	53	730	120	683	700	120	120	411	176	52	941	1072	800	680	25	6	740	8	22
355L	4,6	610	630	254	95	170	25	100	355	35	28	1498	554	125	53	730	120	683	700	120	120	411	176	52	941	1072	800	680	25	6	740	8	22
400L	2	686	710	280	80	170	22	85	400	36	28	1546	554	125	27	836	150	736	800	157	157	406	176	62	1027	1160	800	680	25	6	740	8	22
400L	4,6	686	710	280	100	210	28	106	400	36	24	1676	554	125	27	836	150	736	800	157	157	406	176	62	1027	1160	800	680	25	6	740	8	22

TYPE YU - LOW VOLTAGE (380V) - Cast Iron Frame



*This table is confirm on the main dimension in mm *Special accessory parts can be assembled by customer order
 *In special application these dimension can be changed by customer order

TYPE YK - MEDIUM VOLTAGE (6000V) WOUND ROTOR MOTORS TECHNICAL DATA

Degree of Protection: IP 55, 50 Hz, IM B3, Insulation Class : F, Temp.rise: B

Output Kw	Motor Type	Frame Size mm	Speed r/min	Efficiency Full Load 100%	Power factor Full Load 100%	Current		Torque			Rotor Inertia kgm ²	Motor Weight kg
						I _N A	$\frac{I_s}{I_N}$	T _N Nm	$\frac{T_s}{T_N}$	$\frac{T_{MAX}}{T_N}$		
1500 rev/min - 4pole												
220	YK1351-4A0	355	1484	93.3	0.85	25	6.5	1416	0.8	1.8	4.50	2300
250	YK1352-4A0	355	1483	93.4	0.85	29	6.5	1610	0.8	1.8	4.50	2360
280	YK1353-4A0	355	1484	93.5	0.86	33	6.5	1802	0.8	1.8	4.75	2400
315	YK1354-4A0	355	1483	93.6	0.86	37	6.5	2028	0.8	1.8	5.00	2450
355	YK1401-4A0	400	1485	93.8	0.86	40	6.5	2283	0.8	1.8	9.00	2870
400	YK1402-4A0	400	1484	94	0.86	45	6.5	2574	0.8	1.8	10.00	2960
450	YK1403-4A0	400	1484	94.2	0.86	50	6.5	2896	0.8	1.8	11.00	3115
500	YK1404-4A0	400	1485	94.3	0.87	56	6.5	3215	0.8	1.8	12.00	3250
560	YK1405-4A0	400	1486	94.5	0.87	63	6.5	3599	0.8	1.8	13.00	3340
630	YK1451-4A0	450	1487	94.8	0.87	71	6.5	4046	0.8	1.8	18.50	4006
710	YK1452-4A0	450	1487	95	0.87	79	6.5	4559	0.8	1.8	20.75	4080
800	YK1453-4A0	450	1488	95.1	0.87	90	6.5	5134	0.8	1.8	22.75	4140
900	YK1454-4A0	450	1487	95.2	0.87	100	6.5	5779	0.8	1.8	23.75	4200
1000	YK1501-4A0	500	1489	95.3	0.87	111	6.5	6413	0.7	1.8	23.75	4790
1120	YK1502-4A0	500	1490	95.4	0.88	123	6.5	7178	0.7	1.8	35.25	4960
1250	YK1503-4A0	500	1490	95.5	0.88	138	6.5	8011	0.7	1.8	38.75	5140
1400	YK1504-4A0	500	1490	95.6	0.88	155	6.5	8972	0.7	1.8	42.00	5340
1600	YK1561-4A0	560	1490	95.7	0.89	173	6.5	10254	0.6	1.8	54.00	6330
1800	YK1562-4A0	560	1491	95.8	0.89	195	6.5	11528	0.6	1.8	57.50	6530
2000	YK1563-4A0	560	1491	95.9	0.89	216	6.5	12809	0.6	1.8	64.50	6915
1000 rev/min - 6pole												
250	YK1351-6A0	355	990	93.3	0.82	30	6	2411	0.8	1.8	9.75	2520
220	YK1352-6A0	355	989	93	0.82	27	6	2124	0.8	1.8	9.00	2440
280	YK1401-6A0	400	989	93.5	0.83	33	6	2703	0.8	1.8	16.25	2995
315	YK1402-6A0	400	989	93.7	0.83	37	6	3041	0.8	1.8	17.75	3120
355	YK1403-6A0	400	989	93.9	0.83	42	6	3428	0.8	1.8	19.00	3280
400	YK1404-6A0	400	989	94	0.83	48	6	3862	0.8	1.8	20.50	3375
450	YK1451-6A0	450	990	94.3	0.84	51	6	4340	0.8	1.8	23.50	3680
500	YK1452-6A0	450	991	94.5	0.85	57	6	4818	0.8	1.8	25.50	3820
560	YK1453-6A0	450	991	94.7	0.85	63	6	5396	0.8	1.8	28.50	4000
630	YK1454-6A0	450	991	94.8	0.85	72	6	6071	0.8	1.8	30.75	4100
710	YK1501-6A0	500	993	95	0.85	79	6	6828	0.7	1.8	48.50	4570
800	YK1502-6A0	500	993	95.1	0.85	90	6	7693	0.7	1.8	52.25	4720
900	YK1503-6A0	500	992	95.2	0.85	101	6	8663	0.7	1.8	54.00	4790
1000	YK1504-6A0	500	993	95.3	0.85	113	6	9616	0.7	1.8	58.50	4980
1120	YK1561-6A0	560	993	95.4	0.86	125	6	10770	0.7	1.8	76.00	6205
1250	YK1562-6A0	560	992	95.5	0.86	139	6	12033	0.7	1.8	80.75	6390
1400	YK1563-6A0	560	992	95.6	0.86	156	6	13476	0.7	1.8	58.25	6445
750 rev/min - 8pole												
220	YK1401-8A0	400	740	93	0.79	28	5.5	3226	0.8	1.8	19.00	3135
250	YK1402-8A0	400	740	93.2	0.79	38	5.5	3613	0.8	1.8	20.00	3285
280	YK1403-8A0	400	740	93.2	0.79	35	5.5	3613	0.8	1.8	21.50	3385
315	YK1451-8A0	450	744	93.4	0.80	39	5.5	4043	0.8	1.8	28.50	3730
355	YK1452-8A0	450	744	93.5	0.80	44	5.5	4556	0.8	1.8	29.75	3790
400	YK1453-8A0	450	744	93.7	0.80	49	5.5	5134	0.8	1.8	33.25	3980
450	YK1454-8A0	450	744	93.8	0.81	55	5.5	5776	0.8	1.8	35.60	4100
500	YK1501-8A0	500	743	94.3	0.81	59	5.5	6426	0.8	1.8	29.25	3900
560	YK1502-8A0	500	744	94.4	0.82	66	5.5	7149	0.8	1.8	65.75	4200
630	YK1503-8A0	500	744	94.5	0.82	75	5.5	8086	0.8	1.8	70.25	4920
710	YK1504-8A0	500	743	94.5	0.82	84	5.5	9125	0.8	1.8	70.25	4920
800	YK1561-8A0	560	745	94.7	0.84	94	6	10254	0.7	1.8	82.25	6250
900	YK1562-8A0	560	744	94.3	0.84	105	6	11551	0.7	1.8	82.75	6340
1000	YK1563-8A0	560	744	94.9	0.84	117	6	12835	0.7	1.8	95.00	6535

Stator Voltage from 3000 up to 6600V on request

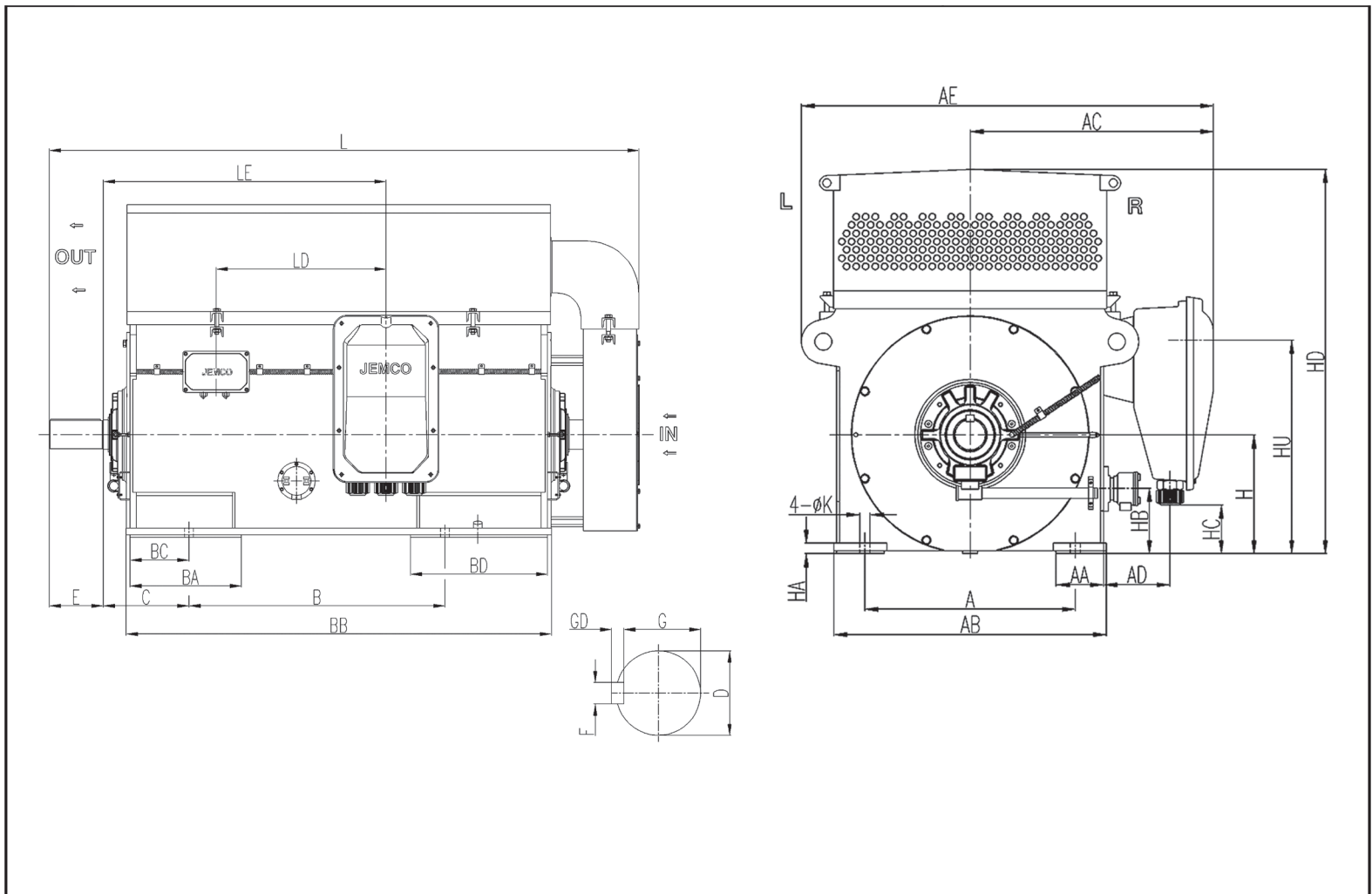
* In these motor series, the range of 3000 ~11000V can be manufactured

* Motor up 10MW can be manufactured according to customer order

Engineered Motors, YK

Dimension Drawings

Medium Voltage(6000V), Squirrel Cage Motors, IM B3, IC611, IP55, 50Hz



Frame Size	Poles	A	B	C	D	E	F	G	H	K	L	AA	AB	AC	AD	AE	BB	BC	GD	HA	HB	HC	HD	HU	LD	LE
355	4,6	630	900	315	100	210	28	90	355	28	2220	160	870	810	22	1360	1600	180	16	35	220	160	1180	595	370	885
400	4,6,8	710	1000	355	110	210	28	100	400	35	2280	160	920	840	22	1400	1600	230	16	35	220	280	1300	715	380	870
450	4	800	1120	355	120	210	32	109	450	35	2200	150	1000	880	22	2000	1650	210	18	36	221	350	1450	785	400	900
450	6,8	800	1120	355	130	250	32	119	450	35	2200	150	1000	880	22	2000	1650	210	18	36	221	350	1450	785	470	900
500	4	900	1250	475	130	250	32	119	500	42	2500	170	1120	940	22	1600	1850	330	18	36	221	400	1700	875	470	1020
500	6,8	900	1250	475	140	250	36	128	500	42	2500	170	1120	940	22	1600	1750	330	20	36	221	400	1700	875	470	1020
560	4	1000	1400	500	150	150	36	138	560	42	3000	195	1200	980	22	1700	2100	320	20	36	221	530	1900	965	470	3030
560	6,8	1000	1400	500	160	300	40	147	560	42	3000	195	1200	980	22	1700	2100	340	22	36	221	530	1900	965	470	2870

TYPE YK - MEDIUM VOLTAGE (6000V) - Steel Frame



All type of cooling system productions are available according to IEC,(such as IC511)

*This table is confirm on the main dimension in mm

*In special application these dimension can be changed by customer order

TYPE YR - MEDIUM VOLTAGE (6000V) WOUND ROTOR MOTORS TECHNICAL DATA

Degree of Protection: IP 55, 50 Hz, IM B3, Insulation Class : F, Temp.rise: B

Output Kw	Motor Type	Frame Size mm	Speed r/min	Efficiency Full Load 100%	Power factor Full Load 100%	Current I _N A	Voltage of Rotor	Rated Current of Rotor	Torque		Motor Weight kg
									T _N Nm	$\frac{T_{MAX}}{T_N}$	
1500 rev/min - 4pole											
220	YR1351-4A0	355	1474	92.7	0.83	26	339	407	1425	1.8	2510
250	YR1352-4A0	355	1474	93	0.84	30	365	430	1620	1.8	2590
280	YR1353-4A0	355	1474	93.1	0.84	33	395	444	1814	1.8	2650
315	YR1401-4A0	400	1476	93.2	0.85	37	397	491	2038	1.8	3020
355	YR1402-4A0	400	1476	93.3	0.85	42	433	506	2297	1.8	3120
400	YR1403-4A0	400	1477	93.5	0.85	46	478	516	2568	1.8	3240
450	YR1404-4A0	400	1478	93.7	0.85	52	530	521	2907	1.8	3360
500	YR1405-4A0	400	1478	93.9	0.85	58	597	512	3230	1.8	3490
560	YR1451-4A0	450	1481	94.2	0.85	64	545	630	3611	1.8	4020
630	YR1452-4A0	450	1482	94.5	0.86	71	597	647	4059	1.8	4210
710	YR1453-4A0	450	1479	94.6	0.86	79	618	711	4584	1.8	4360
800	YR1454-4A0	450	1482	94.7	0.87	90	703	698	5155	1.8	4430
900	YR1501-4A0	500	1481	94.8	0.87	100	824	669	5803	1.8	5320
1000	YR1502-4A0	500	1482	94.9	0.87	111	899	680	6443	1.8	5490
1120	YR1503-4A0	500	1483	95	0.87	125	990	691	7212	1.8	5680
1250	YR1504-4A0	500	1484	95.1	0.87	140	1098	693	7722	1.8	5880
1400	YR1561-4A0	560	1486	95.2	0.87	156	1301	655	8996	1.8	6690
1600	YR1562-4A0	560	1486	95.3	0.87	179	1429	680	10282	1.8	6890
1800	YR1563-4A0	560	1487	95.4	0.87	200	1590	687	11559	1.8	7270
1000 rev/min - 6pole											
220	YR1401-6A0	400	986	92.5	0.81	27	332	428	2131	1.8	3040
250	YR1402-6A0	400	984	92.7	0.82	30	347	452	2426	1.8	3115
280	YR1403-6A0	400	984	92.8	0.82	34	376	466	2717	1.8	3210
315	YR1404-6A0	400	984	93	0.82	38	410	480	3057	1.8	3330
355	YR1405-6A0	400	984	93.2	0.82	43	450	492	3445	1.8	3420
400	YR1451-6A0	450	984	93.5	0.83	47	410	612	3882	1.8	3925
450	YR1452-6A0	450	984	93.6	0.84	53	451	624	4367	1.8	4080
500	YR1453-6A0	450	985	93.8	0.84	59	502	621	4847	1.8	4275
560	YR1454-6A0	450	986	94	0.84	66	565	615	5423	1.8	4500
630	YR1501-6A0	500	988	94.3	0.85	72	939	412	6089	1.8	5190
710	YR1502-6A0	500	989	94.5	0.85	82	1042	418	6855	1.8	5350
800	YR1503-6A0	500	988	94.7	0.85	92	1073	459	7732	1.8	5410
900	YR1504-6A0	500	989	94.8	0.85	103	1218	454	8690	1.8	5700
1000	YR1561-6A0	560	989	95	0.85	115	1250	490	9655	1.8	6630
1120	YR1562-6A0	560	989	95.1	0.85	128	1323	519	10814	1.8	6810
1250	YR1563-6A0	560	989	95.2	0.85	143	1403	549	12069	1.8	6860
750 rev/min - 8pole											
220	YR1401-8A0	400	735	92.2	0.78	28	480	288	2858	1.8	3230
250	YR1402-8A0	400	735	92.3	0.78	32	516	305	3248	1.8	3340
280	YR1403-8A0	400	735	92.5	0.79	35	559	315	3638	1.8	3450
315	YR1451-8A0	450	737	92.6	0.80	40	559	352	4081	1.8	3940
355	YR1452-8A0	450	737	92.7	0.80	44	611	364	4600	1.8	4115
400	YR1453-8A0	450	737	93	0.80	50	671	372	5183	1.8	4260
450	YR1454-8A0	450	737	93.2	0.81	55	748	375	5830	1.8	4470
500	YR1501-8A0	500	739	93.5	0.81	60	775	402	6461	1.8	5200
560	YR1502-8A0	500	739	93.7	0.81	67	862	404	7236	1.8	5400
630	YR1503-8A0	500	740	93.9	0.81	77	967	404	8130	1.8	5600
710	YR1504-8A0	500	739	94	0.81	85	1015	435	9174	1.8	5200
800	YR1561-8A0	560	741	94.2	0.81	98	1103	448	10309	1.8	6770
900	YR1562-8A0	560	741	94.3	0.81	109	1189	468	11598	1.8	6810
1000	YR1563-8A0	560	741	94.4	0.81	121	1287	480	12887	1.8	6910

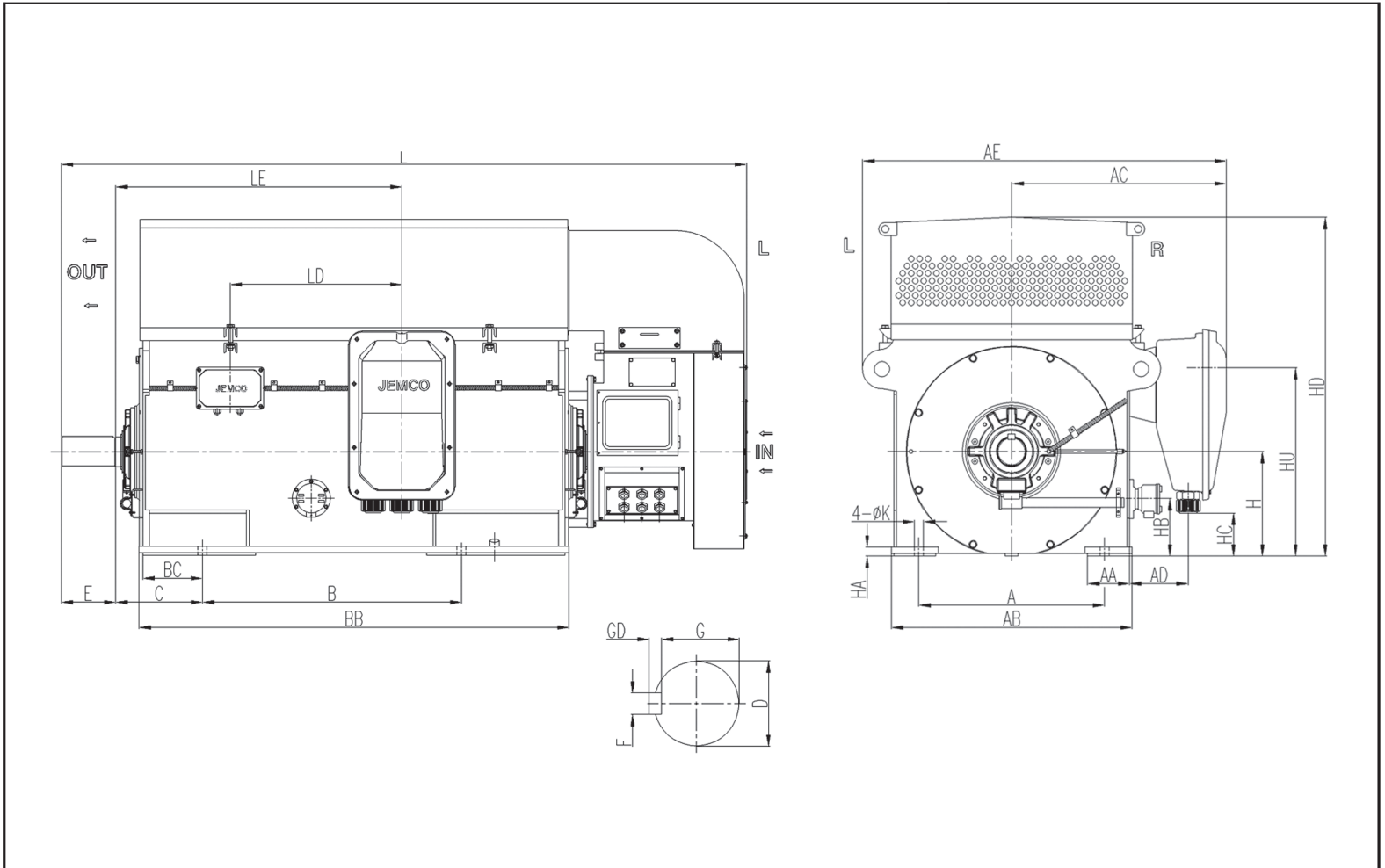
* In these motor series, production of electromotors are possible in the range of 3000 ~ 10000 Volt.

* Motor up 10MW can be manufactured according to customer order

Engineered Motors, YR

Dimension Drawings

Medium Voltage(6000V), Wound Rotor Motors, IM B3, IC611, IP55, 50Hz



Frame Size	Poles	A	B	C	D	E	F	G	H	K	L	AA	AB	AC	AD	AE	BB	BC	GD	HA	HB	HC	HD	HU	LD	LE
355	4	630	900	315	100	210	28	90	355	28	2900	160	870	810	22	1360	1600	180	16	35	220	160	1180	595	370	885
400	4,6,8	710	1000	355	110	210	28	100	400	35	2900	160	920	840	22	1400	1650	230	16	35	220	280	1300	715	380	900
450	4	800	1120	355	120	210	32	109	450	35	3000	150	1000	880	22	2000	1650	210	18	36	220	350	1450	785	400	830
450	6,8	800	1120	355	130	250	32	119	450	35	3000	150	1000	880	22	2000	1650	210	18	36	220	350	1450	785	470	925
500	4	900	1250	475	130	250	32	119	500	42	3400	170	1120	940	22	1600	1850	330	18	36	220	400	1700	875	470	1020
500	6,8	900	1250	475	140	250	36	128	500	42	3400	170	1120	940	22	1600	1750	330	20	36	220	400	1700	875	470	1020
560	4	1000	1400	500	150	150	36	138	560	42	3700	195	1200	980	22	1700	2100	320	20	36	220	530	1900	965	470	3030
560	6,8	1000	1400	500	160	300	40	147	560	42	3700	195	1200	980	22	1700	2100	340	22	36	220	530	1900	965	470	2870

TYPE YR - MEDIUM VOLTAGE (6000V) - Steel Frame



All type of cooling system productions are available according to IEC,(such as IC511)

*This table is confirm on the main dimension in mm

*In special application these dimension can be changed by customer order

TYPE YJS - MEDIUM VOLTAGE (6000V) COMPACT MOTORS

TECHNICAL DATA

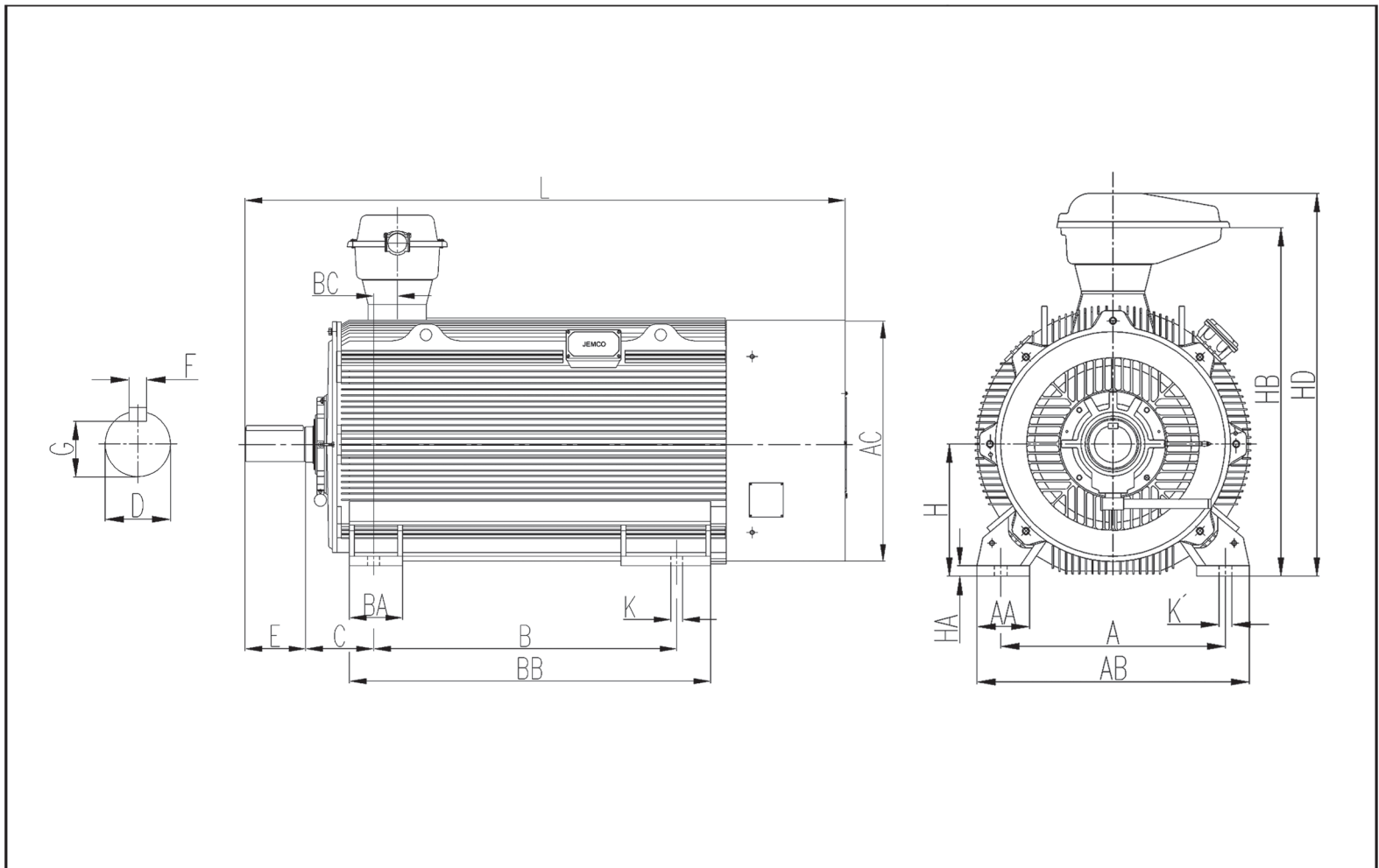
Degree of Protection: IP 55, 50 Hz, IM B3, Insulation Class : F/B, Temp.rise: B

Output Kw	Motor Type	Frame Size mm	Speed r/min	Efficiency Full Load 100%	Power factor Full Load 100%	Current		Torque		Rotor Inertia kgm ²	Motor Weight kg
						I _N A	I _s I _N	T _s T _N	T _{MAX} T _N		
3000 rev/min - 2pole											
220	YJS400-2	400	2984	93	0.87	26	6.96	0.68	1.84	32.4	2650
250	YJS400-2	400	2981	93	0.87	29.6	6.62	0.60	1.84	20	2650
280	YJS400-2	400	2983	93.4	0.88	32.9	6.81	0.61	1.84	34	2760
315	YJS400-2	400	2980	93	0.87	37.1	6.64	0.60	1.84	34	2770
355	YJS560-2	560	2979	93.7	0.87	41.8	6.67	0.67	1.84	34	3400
400	YJS560-2	560	2976	94	0.87	46.9	6.66	0.61	1.79	34	3420
450	YJS560-2	560	2979	94.5	0.87	52.5	6.85	0.64	1.8	49	3500
500	YJS560-2	560	2976	95	0.88	57.9	6.73	0.70	1.8	43	3520
560	YJS560-2	560	2976	94.8	0.88	64.6	6.7	0.61	1.84	57	3620
630	YJS560-2	560	2980	95	0.89	71.8	6.7	0.70	1.84	81	4400
710	YJS560-2	560	2982	95.3	0.89	80.9	6.8	0.65	1.84	95	4410
800	YJS560-2	560	2979	95	0.88	91.2	6.63	0.70	1.82	96	4450
900	YJS560-2	560	2980	95.5	0.89	101.8	6.69	0.65	1.83	98	4630
1000	YJS560-2	560	2977	96	0.89	113.6	6.73	0.70	1.8	97	4650
1120	YJS560-2	560	2982	95.9	0.89	126.2	6.78	0.68	1.82	97	5820
1250	YJS560-2	560	2980	96	0.89	141.5	6.6	0.70	1.8	98	5830
1400	YJS560-2	560	2982	96.1	0.89	157	6.88	0.63	1.82	99	6180
1600	YJS560-2	560	2979	96	0.89	180.6	6.75	0.70	1.82	100	6200
1500 rev/min - 4pole											
220	YJS400-4	400	1488	93.8	0.86	26.2	6.43	0.80	1.89	100	2450
250	YJS400-4	400	1486	94	0.87	29.7	6.38	0.90	1.88	109	2450
280	YJS400-4	400	1487	94	0.86	33.3	6.05	0.84	1.84	110	2510
315	YJS400-4	400	1488	94	0.86	37.5	6.43	0.80	1.89	115	2600
355	YJS450-4	450	1485	94.2	0.87	41.9	6.38	0.80	1.82	119	3600
400	YJS450-4	450	1484	94	0.87	47	6.43	0.90	1.81	127	3700
450	YJS450-4	450	1485	94.4	0.87	53	6.38	0.89	1.82	130	3720
500	YJS450-4	450	1485	95	0.89	57.6	6.38	0.80	1.82	140	3850
560	YJS450-4	450	1486	94.5	0.88	64.7	6.38	0.87	1.83	148	3900
630	YJS500-4	500	1491	95	0.9	71	6.4	0.70	1.85	381	4420
710	YJS500-4	500	1489	95.1	0.9	79.8	6.45	0.74	1.82	390	4430
800	YJS500-4	500	1490	95	0.9	89.8	6.4	0.70	1.84	396	4700
900	YJS500-4	500	1488	95.2	0.9	101.4	6.37	0.74	1.8	399	4780
1000	YJS500-4	500	1491	95	0.89	113	6.34	0.80	1.84	435	4880
1120	YJS560-4	560	1488	95.3	0.9	126	6.32	0.75	1.83	440	5890
1250	YJS560-4	560	1489	96	0.87	140.6	6.45	0.80	1.81	445	5900
1400	YJS560-4	560	1489	95.5	0.9	157	6.45	0.76	1.81	450	6110
1600	YJS560-4	560	1489	96	0.9	179.5	6.45	0.80	1.81	467	6400
1000 rev/min - 6pole											
220	YJS400-6	400	987	93.2	0.87	26.3	5.62	1	1.81	600	2690
250	YJS400-6	400	985	93	0.87	29.8	5.5	0.90	1.81	610	2700
280	YJS400-6	400	986	93.3	0.87	33.4	5.7	0.93	1.89	650	2870
315	YJS450-6	450	990	94	0.85	38	5.68	1	1.81	700	3600
355	YJS450-6	450	990	93.6	0.85	42.7	5.57	0.96	1.81	732	3700
400	YJS450-6	450	989	94	0.86	47.8	5.5	0.90	1.8	741	3900
450	YJS450-6	450	989	93.9	0.85	54.2	5.59	0.93	1.8	759	4000
500	YJS500-6	500	991	95	0.87	58.6	5.69	0.90	1.8	1059	4510
560	YJS500-6	500	992	94.6	0.87	65.7	5.59	0.82	1.8	1099	4520
630	YJS500-6	500	992	95	0.87	73.9	5.55	0.80	1.81	1186	4660
710	YJS500-6	500	992	94.6	0.86	84.2	5.67	0.85	1.82	1264	4720
800	YJS500-6	500	993	95	0.84	96.2	5.87	1.10	2.29	1369	4870
900	YJS560-6	560	993	94.8	0.88	104	6.2	0.70	1.82	1600	6040
1000	YJS560-6	560	992	95	0.88	115.4	6.4	0.70	1.8	1633	6050
1120	YJS560-6	560	993	94.8	0.85	133	6.4	0.76	1.84	1800	6260
1250	YJS560-6	560	992	95	0.86	147.5	6.2	0.80	1.83	1814	6270
750 rev/min - 8pole											
220	YJS450-8	450	741	92.8	0.82	27.8	5.45	0.85	1.8	1015	3600
250	YJS450-8	450	741	93	0.81	31.9	5.45	0.90	1.8	1026	3700
280	YJS450-8	450	740	93.1	0.83	35	5.45	0.89	1.8	1125	3770
315	YJS450-8	450	740	93	0.82	39.9	5.45	0.90	1.8	1178	3830
355	YJS500-8	500	743	93.8	0.83	43.7	5.79	0.87	1.84	1466	4260
400	YJS500-8	500	743	94	0.83	49.1	5.66	0.90	1.83	1500	4420
450	YJS500-8	500	741	94	0.85	54.5	5.45	0.86	1.8	1510	4500
500	YJS500-8	500	742	94	0.84	60.6	5.09	0.90	1.81	1665	4640
560	YJS500-8	500	742	94.2	0.84	68.3	5.4	0.86	1.82	1700	4780
630	YJS560-8	560	743	94	0.85	75.7	5.58	0.90	1.8	1722	5770
710	YJS560-8	560	744	94.7	0.85	85.1	5.82	0.86	1.84	1820	6070
800	YJS560-8	560	743	95	0.85	95.2	5.52	0.90	1.82	1929	6080
900	YJS560-8	560	744	94.8	0.84	108.9	57.7	0.85	1.84	2181	6300

Engineered Motors, YJS(Compact Motors)

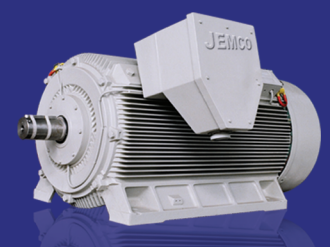
Dimension Drawings

Medium Voltage(6000V), Compact Motors, IM B3, IC411, IP55, 50Hz



Frame Size	Poles	A	B	C	D	E	F	H	HD	K	L	AA	AB	AC	BA	BB	HA	BC	G	HB
400	2	710	900	224	80	170	22	400	1200	36	1865	140	840	840	260	1120	35	260	71	1030
400	4,8	710	900	224	110	210	28	400	1200	36	2000	140	840	840	260	1120	35	260	100	1030
450	2	800	1000	250	80	170	22	450	1300	42	2085	160	950	940	320	1300	40	260	71	1130
450	4,8	800	1000	250	110	210	28	450	1300	42	2220	160	950	940	320	1300	40	260	100	1130
500	2	900	1250	280	90	170	25	500	1400	42	2420	170	1050	1050	375	1570	45	200	81	1230
500	4,6	900	1250	280	120	210	32	500	1400	42	2555	170	1050	1050	375	1570	45	200	109	1230
560	4,8	1000	1600	400	160	300	40	560	1500	48	3125	230	1170	1190	620	1940	50	200	147	1330

TYPE YJS - MEDIUM VOLTAGE (6000V) - SQUIRREL CAGE MOTORS



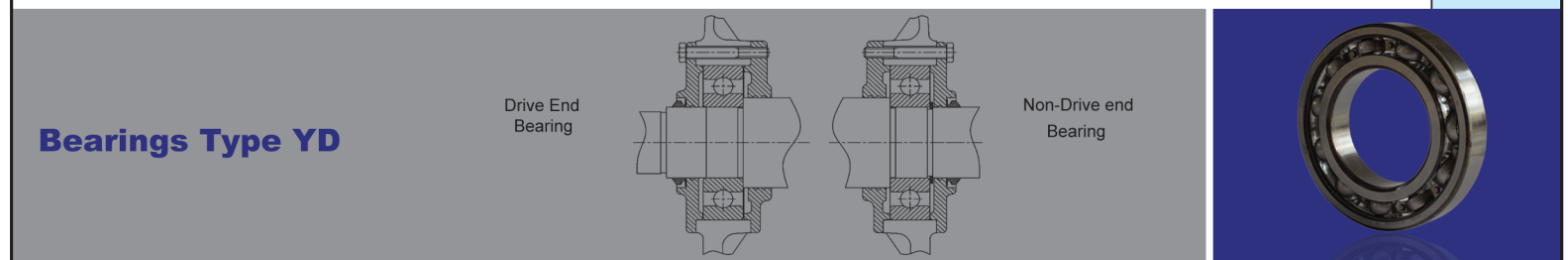
All type of cooling system productions are available according to IEC,(such as IC511)

*This table is confirm on the main dimension in mm

*In special application these dimension can be changed by customer order

Engineered Bearings Type YD
Properties Table
Low Voltage (380V), Squirrel Cage Motors

Frame Size	Poles	RPM	Drive End Bearing	Non-Drive end Bearing	AMB.TEMP (C°)	OPER.TIME (h)	QUANTITY (gr)	GREASE TYPE
160	2	3000	6309C3	6309C3	25°	4400	12	K3N DIN 51825
	4	1500			40°	2200		
180	2	3000	6311C3	6311C3	25°	3400	17	
	4	1500			40°	1700		
	6	1000			25°	7200		
		40°			3600			
200	2	3000	6312C3	6312C3	25°	3000	20	
	4	1500			40°	1500		
	6	1000			25°	6700		
		40°			3400			
225	2	3000	6313C3	6313C3	25°	2700	23	
	4	1500			40°	1300		
	6	1000			25°	6300		
		40°			3200			
250	2	3000	6314C3	6314C3	25°	2300	26	
	4	1500			40°	1200		
	6	1000			25°	5900		
		40°			3000			
280	2	3000	6314C3	6314C3	25°	2300	26	
	4	1500	6317C3	6317C3	40°	1200		
		6			1000	25°	4900	
	40°		2500	25°	7100	37		
40°	3600	40°	3600					



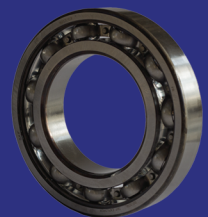
Engineered Bearings Type YU

Properties Table

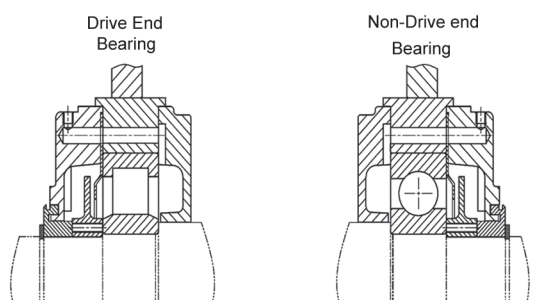
Low Voltage (380V), Squirrel Cage Motors

												K3N DIN 51825
3000 RPM				1500/1000 RPM								
		Drive End Bearing	Non-Drive end Bearing			Drive End Bearing	Non-Drive end Bearing					
Frame Size	Poles	RPM	Drive End Bearing	AMB.TEMP (C°)	OPER.TIME (h)	QUANTITY (gr)	Non-Drive end Bearing	AMB.TEMP (C°)	OPER.TIME (h)	QUANTITY (gr)	GREASE TYPE	
315	2	3000	6217C3	25°	2100	21	621703	25°	2100	21	K3N DIN 51825	
				40°	1000			40°	1000			
	4	1500	6319C3	25°	4300	45	6319C3	25°	4300	45		
		40°		2200	40°			2200				
6	1000	25°		6500	25°			6500	40°			3300
355	2	3000	6319C3	25°	1700	45	6319C3	25°	1700	45		
				40°	900			40°	900			
	4	1500	6322C3	25°	3400	60	6322C3	25°	3400	60		
		40°		1700	40°			1700				
6	1000	25°		5600	25°			5600	40°		2800	40°
400	2	3000	NU217ECMC3+6217C3	25°	800	21	NU217ECMC3	25°	800	21		
				40°	400			40°	400			
	4	1500	NU324ECMC3	25°	1400	72	6324C3	25°	3000	72		
		40°		700	40°			1500				
6	1000	25°		3000	25°			5200	40°		2600	40°

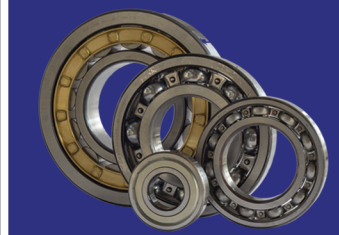
Bearings Type YU



Engineered Bearings Type YK
Properties Table
Medium Voltage (6000V), Squirrel Cage Motors

												GREASE TYPE
Frame Size	Poles	RPM	Drive End Bearing	AMB.TEMP (C°)	OPER.TIME (h)	QUANTITY (gr)	Non-Drive end Bearing	AMB.TEMP (C°)	OPER.TIME (h)	QUANTITY (gr)	GREASE TYPE	
355	4	1500	NU322ECMC3	25°	1600	60	6322C3	25°	2400	60	K3N DIN 51825	
		6		1000	40°			800	40°			1700
400	4	1500	NU324ECMC3	25°	1400	72	6324C3	25°	3000	72		
		6		1000	40°			700	40°			1500
		8		750	25°			3000	25°			5200
450	4	1500	NU326ECMC3	25°	1100	81	6326C3	25°	2700	81		
		6	1000	40°	600			40°	1300			
		8	750	NU328ECMC3	25°			2300	25°			4400
500	4	1500	NU328ECMC3	25°	900	93	6328C3	25°	2300	93		
		6	1000	40°	500			40°	1200			
		8	750	NU330ECMC3	25°			2100	25°			4000
560	4	1500	NU332ECMC3	25°	600	116	6332C3	25°	1800	116		
		6	1000	40°	300			40°	900			
		8	750	NU334ECMC3	25°			1600	25°		3400	40°
				40°	800	130	6334C3	40°	1700	130		
				25°	2800			25°	4900			
				40°	1400			40°	2500			

Bearings Type YK

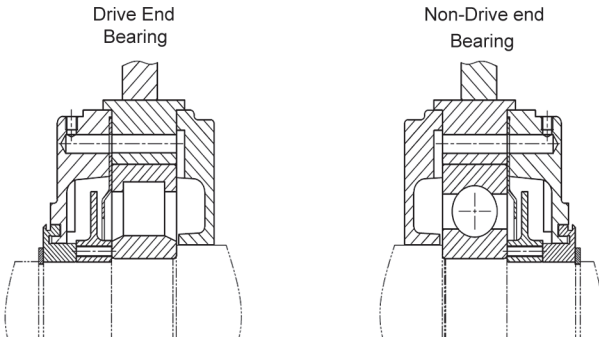


*Journal bearing of special design on request.

Engineered Bearings Type YR

Properties Table

Medium Voltage (6000V), Wound Rotor Motors

												GREASE TYPE
Frame Size	Poles	RPM	Drive End Bearing	AMB.TEMP (C°)	OPER.TIME (h)	QUANTITY (gr)	Non-Drive end Bearing	AMB.TEMP (C°)	OPER.TIME (h)	QUANTITY (gr)		
355	4	1500	NU322ECMC3	25°	1600	60	6322C3	25°	3400	60	K3N DIN 51825	
				40°	800			40°	1700			
400	4	1500	NU324ECMC3	25°	1400	72	6324C3	25°	3000	72		
				40°	700			40°	1500			
	6	1000		25°	3000			25°	5200			
				40°	1500			40°	2600			
	8	750		25°	4500			25°	6700			
				40°	2300			40°	3400			
450	4	1500	NU326ECMC3	25°	1100	81	6326C3	25°	2700	81		
				40°	600			40°	1300			
	6	1000		25°	2300			25°	4400			
				40°	1200			40°	2200			
	8	750		25°	3700			25°	5900			
				40°	1900			40°	3000			
500	4	1500	NU330ECMC3	25°	800	104	6330C3	25°	2300	104		
				40°	400			40°	1200			
	6	1000		25°	2100			25°	4000			
				40°	1000			40°	2000			
	8	750		25°	3400			25°	5600			
				40°	1700			40°	2800			
560	4	1500	NU332ECMC3	25°	600	116	6332C3	25°	1800	116		
				40°	300			40°	900			
	6	1000		25°	1600			25°	3400			
				40°	800			40°	1700			
	8	750		25°	2800			25°	4900			
				40°	1400			40°	2500			

Bearings Type YR



*Journal bearing of special design on request.